

## Central Vacuum Power Unit Mounting Instructions

Read all installation instructions carefully before installing your built-in vacuum power unit.

**Improper installation of this unit could void your warranty. Installation should be performed only by a qualified built-in vacuum specialist.**

### IMPORTANT

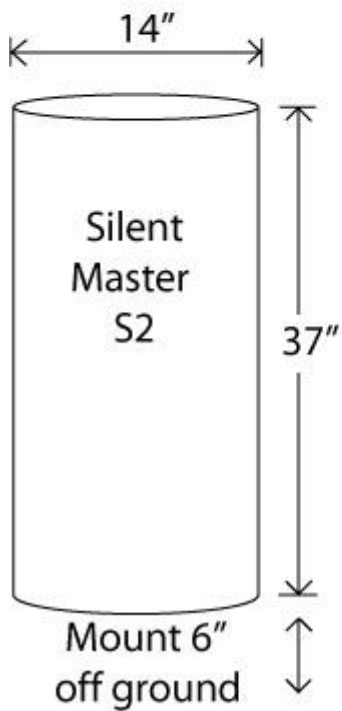
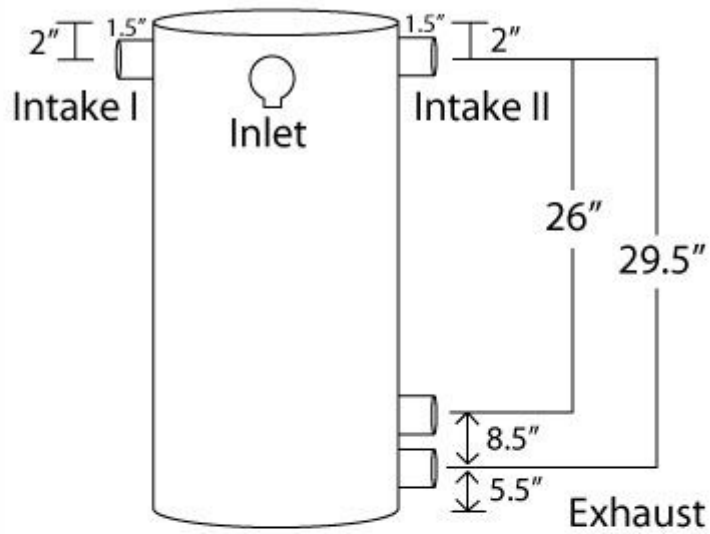
- Power units require a separate grounded circuit.
- **Do not** install unit in a confined space (closet or under an enclosed staircase). Improper ventilation can seriously damage the power unit. Consult us if in doubt as to suitable size of area.
- **Do not** vent exhaust into walls, ceilings, or attics.
- **Do** check circuit to ensure proper voltage
- **Do** check to ensure that the circuit breaker/fuse and wiring are the proper size (check electrical codes).
- **Do** keep power supply cord away from heated surfaces.

### MOUNTING POWER UNIT

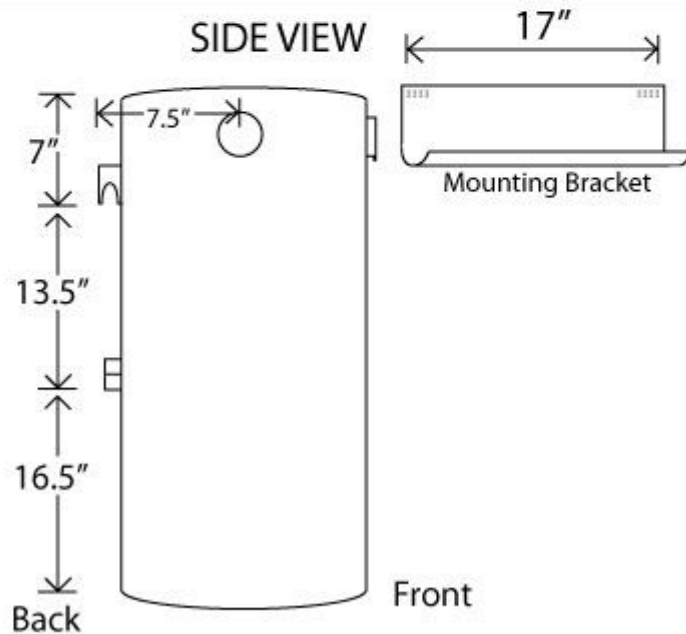
1. Install the mounting bracket high enough to allow the bottom of the power unit to hang a minimum of 6 inches above the floor. Secure mounting bracket to wall using two (2) #10 x 1 1/2 inch screws. Holes are provided for 13" to 16" stud centres. If a stud cannot be located, use wall anchors or toggles for maximum strength.
2. Run two inch (2") vacuum tubing from wall inlet on right or left side of power unit. **Do Not glue or cement the connection to the unit!** Use the red or white cap provided to seal the power unit intake not used.
3. Connect the two low voltage wires from the wall inlet to the leads on the power unit using the blue wire nuts provided.
4. Make sure that filters and bag gasket are properly in place and that the lid is on the unit.
5. Plug in the power unit.

Diagram for all  
 Silent Master  
 Central Vacuums  
 centralvacuum.com

FRONT VIEW



SIDE VIEW



• Leave 24" above unit for replacing filtration.