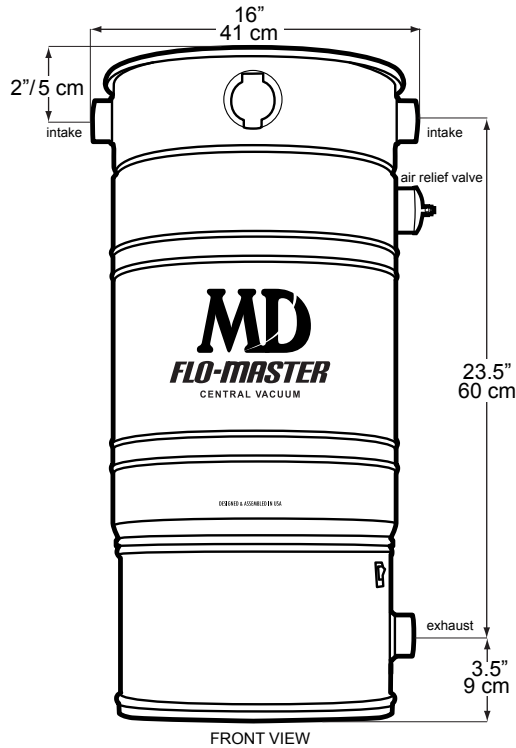
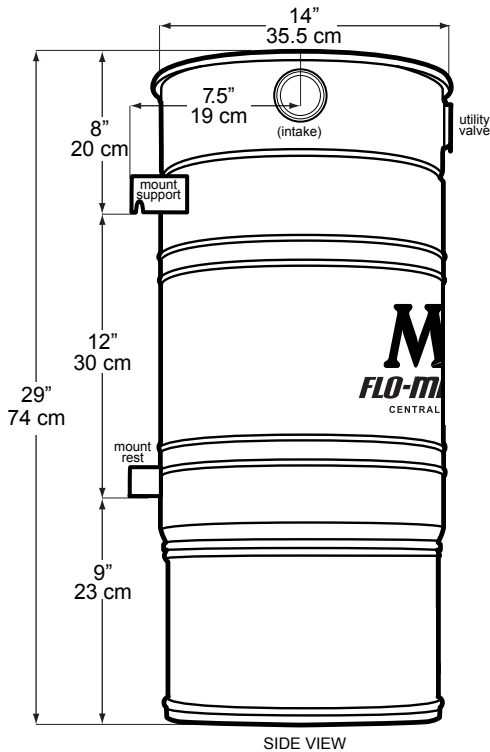


# FLO-MASTER®

MANUFACTURED BY  
**MD**  
CENTRAL VACUUMS

SPECIFICATIONS FOR MODEL

**F700t2**  
#F215DAD 240 VOLT



**PERFORMANCE**

Sealed Vacuum . . . 145.9" / 3706 mm  
 Airflow . . . . . 133 CFM / 62.8 L/sec  
 Air Watts . . . . . 700  
 Volts . . . . . 240  
 Amperage . . . . . 7.6  
 Quietness . . . . . 65dB<sub>A</sub>  
 Coverage . . . . . 10,000 ft<sup>2</sup>

\*Recommended home size can be higher or lower when considering these factors: altitude, hours of use, complexity of pipe installation, distance of furthest inlet, noise level, type and size of filtration, and budget.

**FEATURES**

Motor: Single 2-stage thru-flow motor producing high CFM & waterlift.  
 Filtration: HyperFlow™ disposable 8-gallon bag. Closed microfilter bag available.  
 Intakes: Right & left intakes. Utility valve. Air relief valve.  
 Construction: Durable powder-coated all steel body.  
 Overload: Heat protection resettable minibreaker.  
 Warranty: 10 Year Transferable + Lifetime.  
 Dims/Weight: 14 in/35.5 cm Diameter, 29 in/74 cm Tall, 34 lbs.  
 Accessories: All MD accessories and kits are compatible and are sold separately.  
 Optional: Muffler. Closed bag filtration.

**INSTALLATION**

Electrical: 240V - 50/60HZ, 15 amp circuit. Separate circuit recommended. 6' / 2 m Cord with typical 240v plug. Fits NEMA 6-20R receptacle.  
 Mounting: Two-stud 17" / 43 cm wide bracket. Easy to hang and remove. Left/right variable positioning. Mount 6" / 15 cm off ground. Leave 24" / 61 cm above unit.  
 Venting: Exterior venting not necessary. 30ft / 10 m maximum line if venting.

<b>PROJECT</b>		<b>LOCATION</b>	
<b>DEALER</b>		<b>DATE / PRICE</b>	



Designed & Assembled in USA

WWW.BUILTINVACUUM.COM/FLO-MASTER

M.D. Manufacturing, Inc. 800.525.2055  
 34970 McMurtrey Ave. 661.283.7550  
 Bakersfield, CA 93308 FAX 661.283.7554